



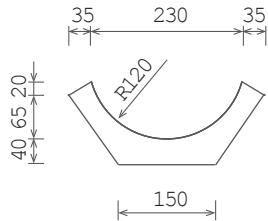
SIN LIAN CONCRETE SDN. BHD. (1055328A)

Lot 5062, Main Road, Ulu Choh, 81150 Johor Bahru, Johor.

Tel: +607-699 2935 / 699 6311 Fax: +607-699 6494

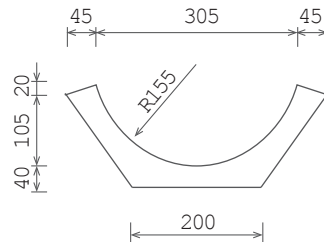
Website: www.sinlian.com.my

PRECAST CONCRETE PRODUCTS



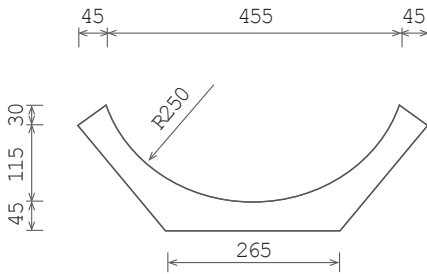
TYPE C2 CHANNEL

Dimension: 230mm(IW) 85mm(ID) 600mm(L)



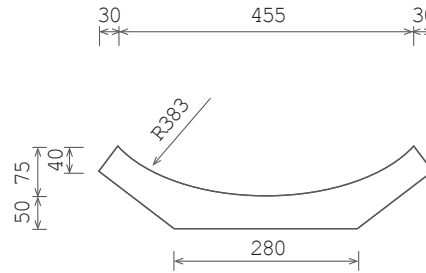
TYPE C3 CHANNEL

Dimension: 305mm(IW) 125mm(ID) 600mm(L)



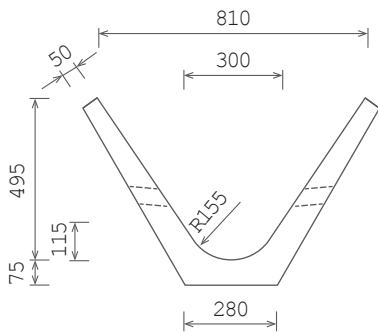
TYPE C5 CHANNEL

Dimension: 455mm(IW) 145mm(ID) 600mm(L)



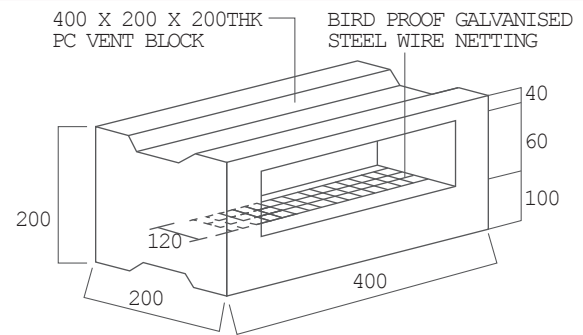
TYPE C5A CHANNEL

Dimension: 455mm(IW) 75mm(ID) 600mm(L)

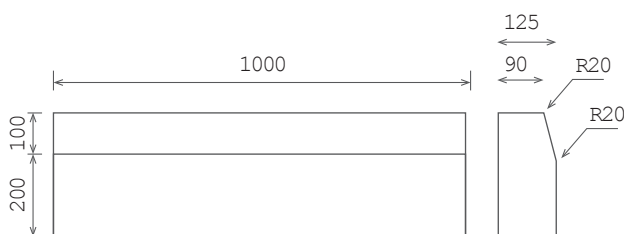


TYPE C7 CHANNEL

Dimension: 810mm(IW) 495mm(ID) 600mm(L)

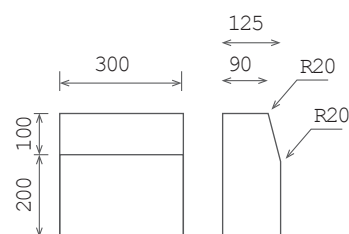


VIEW FROM INSIDE
DETAILS OF P.C VENT BLOCK
(FOR CABLE BASEMENT/CHAMBER ONLY)



K2 CONCRETE KERB

Dimension: 300mm(H) 1000mm(L) 125mm(T)



K2-300L CONCRETE KERB

Dimension: 300mm(H) 300mm(L) 125mm(T)